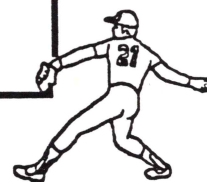




The Riel Family Newsletter

Catch the News

April, 1996



RFNL CELEBRATES FIFTH BIRTHDAY

The March, 1996 edition of RFNL was the 60th one issued since the initial one appeared, in April, 1991. Our initial objective, as outlined in the first issue, was "...to help everyone keep up on what is going on in the family." In order to help you recall some of the stories, we have reproduced most of the headlines from the feature story of each issue. We hope that they will help you recall some of the exciting events of the past five years. We look forward to more of the same in the coming years.

APRIL, 1991 RFNL001
MARGARET INCLUDED IN 3RD EDITION OF "MARKET GUIDE FOR YOUNG WRITERS"

MAY, 1991 RFNL002
EASTER CELEBRATION BIG SUCCESS

JUNE, 1991 RFNL003
BUD CELEBRATES HEMICENTENNIAL SURPRISE PARTY HUGE SUCCESS

JULY, 1991 RFNL004
BIG DAD'S DAY CELEBRATION IN JUNE

AUGUST, 1991 RFNL005
ADVANCE NOTICE
THE SOCIAL EVENT OF 1992
FRANCES FORTY PHOENIX FROLIC

SEPTEMBER, 1991 RFNL006
JESSICA BENESCH SINGS SOLO ROLE IN GIRL SCOUT MUSICAL "YOU'RE A GOOD MAN CHARLIE BROWN"

OCTOBER, 1991 RFNL007
BOB AND KARLA MOVE FAMILY TO ALPINE

NOVEMBER, 1991 RFNL008
GRANDPA RIEL GETS ROHR TECHNOLOGY WEEK AWARD

DECEMBER, 1991 RFNL009
BUD AND MARGARET HOST THANKSGIVING CELEBRATION LIZ RIEL TREATED TO SURPRISE 40TH BIRTHDAY PARTY

JANUARY, 1992 RFNL010
FIRST ANNUAL RIEL BOWL BIG SUCCESS

MARCH, 1992 RFNL012
HISTORIC RIEL FAMILY PORTRAIT
THE RIEL BOWL GANG AT BOB AND KARLAS - ALPINE, JANUARY 1, 1992

APRIL, 1992 RFNL013
JEFF CELEBRATES 40th BIRTHDAY SURPRISE PARTY FAILS TO FOOL WISE OLD DADDY DUE TO TELEPHONE CALL MADE BY CATERER

MAY, 1992 RFNL014
FAMILY CELEBRATES EASTER AT GRANT SCHOOL PARK

JUNE, 1992 RFNL015
AUNT LISTY AND UNCLE BUD WIN BEST TEACHER AWARDS

JULY, 1992 RFNL016
GRANDMA AND GRANDPA TREATED TO MOTHERS/FATHERS DAY CELEBRATIONS DAUGHTERS TREAT GRANDMA TO A BASEBALL GAME - GRANDPA GETS GIFTS, CARDS, PHONE CALLS AND A VISIT TO SEA WORLD

AUGUST, 1992 RFNL017A
FRANCIE'S 40TH BIRTHDAY PARTY ROCKS PHOENIX

SEPTEMBER, 1992 RFNL0181
1992-93 SCHOOL YEAR STARTS

OCTOBER, 1992 RFNL0191
RFNL CHRISTMAS PARTY CONTEST HEATS UP ALL ENTRIES IN THE RFNL SLOGAN/LOGO CONTEST ARE NEEDED BY DEC. 1, 1992. FAMILY ENTRIES ARE ENCOURAGED

NOVEMBER, 1992 RFNL0201
NEWS FROM UNCLE NIKOLAUS IN GERMENY FRANCIE GETS LETTER FROM GRANDMA'S COUSIN IN NEUFHARN

DECEMBER, 1992 RFNL0211
FAMILY ENJOYS THANKSGIVING DAY CELEBRATION FUN DAY AT GRANDPA'S AND GRANDMA'S

JANUARY, 1993 RFNL0221

The M's Make It !
Margaret
Michelle
Michael
Megan

Announcing the new header for the The Riel Family Newsletter

FEBRUARY, 1993 RFNL0231
MARGARET AND BUD ATTEND INAUGURAL BALL

MARCH, 1993 RFNL0241
SCIENCE PROJECTS KEEP KIDS BUSY THIS SPRING

APRIL, 1993 RFNL0251
JASON, JESSICA, MICHAEL AND MEGAN IN ELEMENTARY SCIENCE OLYMPIAD

MAY, 1993 RFNL0261
FAMILY CELEBRATES EASTER SUNDAY

The Riel Family Newsletter

Catch the News

April, 1996



JUNE, 1993

RFNL0271

MARGARET WINS PRIZE IN INTER - NATIONAL CONTEST ON THE USE OF COMPUTERS IN EDUCATION

JULY, 1993

RFNL0281

IT'S VACATION TIME FOR THE FAMILY

AUGUST, 1993

RFNL0291

VACATION REPORT
GILLINGHAM, HARTMAN, CASTRO

SUMMER'S OVER LABOR DAY PARTY ANNOUNCED
BIG FAMILY CELEBRATION AT HARTMAN ESTATE SET FOR SEPTEMBER 5TH, 2:00 P.M.

SEPTEMBER, 1993

RFNL0301

LISTY GILLINGHAM WINS POSITION AS MATH TEACHER AT THE NEWLY BUILT SCRIPPS RANCH HIGH SCHOOL

OCTOBER, 1993

RFNL0311

MARGARET HELPS GOVERNMENT PLAN USA TELECOMMUNICATIONS FUTURE

NOVEMBER, 1993

RFNL0321

THANKSGIVING CELEBRATION TO BE HELD AT HOME OF GRANDPA AND GRANDMA RIEL

DECEMBER, 1993

RFNL0331

FAMILY ENJOYS FUN, GAMES, FOOD ON THANKSGIVING DAY

JANUARY, 1994

RFNL0341

FAMILY WELCOMES NEW YEAR WITH THIRD ANNUAL RIEL BOWL

FEBRUARY, 1994

RFNL0351

AUNT BIRDY ADDRESSES TEACHERS CONFERENCE IN SAN FRANCISCO

MARCH, 1994

RFNL0361

BOB GILLINGHAM FEATURED IN PARKER SCHOOL PUBLICATION

APRIL, 1994

RFNL0371

EASTER CELEBRATED WITH FOOD, SOCCER, BIKE RIDING AND KITE FLYING AT LAKE MURRAY PARK

PARENTS ROGE KID'S ALL STARS AT SOCCER - KITES SOAR IN STIFF BREEZE - GRANDPA AND GRANDMA HURT IN BIKE SPILLS

MAY, 1994

RFNL0381

AUNT BIRDY AND UNCLE BOB G PERFORM IN FRANCIS PARKER SHOW

JUNE, 1994

RFNL0391

4TH OF JULY PARTY PLANNED AT ALPINE HOME OF BOB AND KARLA

JULY, 1994

RFNL0401

SWIMMING POOL DEDICATED AT 4TH OF JULY PARTY

AUGUST, 1994

RFNL0411

AUNT CAROL TURNS 39³⁹ YEARS OLD - CELEBRATES WITH BIG PARTY

SEPTEMBER, 1994

RFNL0421

MARGARET RIEL GIVES KEYNOTE ADDRESS AT ONLINE LEARNING CONFERENCE

OCTOBER, 1994

RFNL0431

SOCCER DOMINATES SPORTS NEWS

NOVEMBER, 1994

RFNL0441

FRANCIE AND JOSE HOST FAMILY THANKSGIVING CELEBRATION

DECEMBER, 1994

RFNL0451

FAMILY ENJOYS FUN, GAMES, FOOD ON THANKSGIVING DAY

JANUARY, 1995

RFNL0461

RIEL BOWL IV SETS NEW RECORDS

FEBRUARY, 1995

RFNL0471

RIEL BOWL IV PICTURES-PICTURES-PICTURES

MARCH, 1995

RFNL0481

GRANDMA, LISTY AND BIRDY GO ON SAN FRANCISCO SHOPPING SPREE

APRIL, 1995

RFNL0491

FREAK SNOWSTORM HITS MISSION HILLS AREA

MAY, 1995

RFNL0501

EASTER PICNIC RAINED OUT - CELEBRATION MOVED INDOORS

JUNE, 1995

RFNL0511

BOB GILLINGHAM GETS SURPRISE 40TH BIRTHDAY PARTY

JULY, 1995

RFNL0521

GRADUATION CEREMONIES HELD AT GREEN AND PARKER SCHOOLS

AUGUST, 1995

RFNL0531

TEAM PLAY-OFF GAMES DOMINATE SPORTS NEWS

SEPTEMBER, 1995

RFNL0541

FAMILY CELEBRATES LABOR DAY IN ALPINE

OCTOBER, 1995

RFNL0551

MARGARET INVITED TO BRIEFING SESSION AT WHITE HOUSE

NOVEMBER, 1995

RFNL0561

THANKSGIVING CELEBRATION AT RIEL/MEHAN ENCINITAS HOME

DECEMBER, 1995

RFNL0571

FAMILY ENJOYS FUN, GAMES, FOOD ON THANKSGIVING DAY

JANUARY, 1996

RFNL0581

RIEL BOWL V GREATEST EVER FOUR TIE CROSSWORD CONTEST BIRDY HARTMAN WINS PLAYOFF

FEBRUARY, 1996

RFNL0591

LISTY GILLINGHAM STARS ON LOCAL TV SHOW

MARCH, 1996

RFNL0601

FAMILY TEACHERS CELEBRATE END OF STRIKE

SUMMARY

Over the past 5 years RFNL has expanded coverage to include family portraits and activity photos, certificates and awards, stories and poems, sports news, dramatic achievements, family celebrations, travel and vacation news, school activities, career news, health problems and just about everything else going on in the family. As always, we encourage

The Riel Family Newsletter

Catch the News

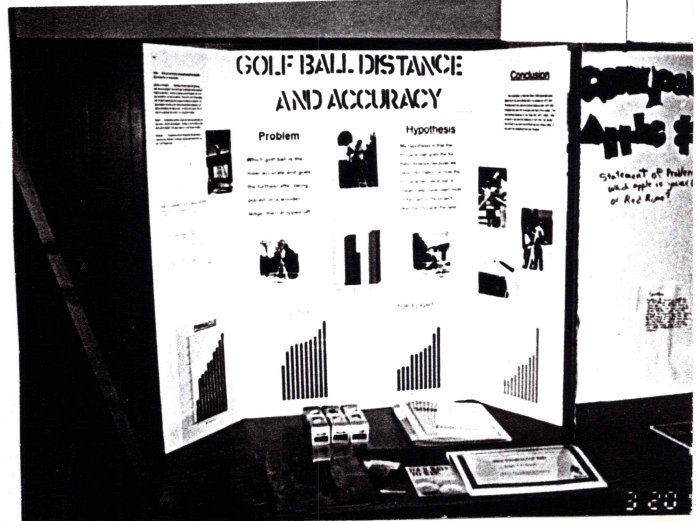
April, 1996

everyone to keep us informed on what is happening, so that we can continue to let everyone know how each of the members of the family are progressing. With your help we promise to bring you all the news, as it happens. We wish each of you the best possible future.

SCIENCE PROJECTS

As we mentioned in the last issue both Brett and Megan are involved in school science projects. Megan's catapult project is now complete, and Margaret reports that it won the first prize in the competition. Although we missed it, we understand that it made the channel 10 news at 5 p.m., recently. Unfortunately Megan was not operating the device on the news, since it was part of the overall school participation. The accompanying photograph shows Megan with two of her schoolmates. The catapult on the left is the 1995 model, recently upgraded to improve stability and accuracy. The one on the right is the 1996 model, designed for maximum stability and controllability. Megan and her friends did an excellent calibration job, to take advantage of the capabilities of the two devices.

Brett's golf ball testing device was designed and built by Grandpa, Alan and Brett. After the initial trials, done at Grandpa's and later on at Grandma Sorem's home, with Brett and Alan, Grandpa then made some slight design changes, and the final device is shown in the accompanying drawing. The final testing was carried out at Brett's back yard basketball court. The distance measured was to the point of the first rebound. In order to record the impact point a sheet of paper covered with a sheet of carbon paper was used. Each impact point was imprinted on the paper by the carbon paper, and a series of 10 tests were run with each ball. The results were analyzed and then plotted as a series of bar charts. The entire project was defined in an exhibit shown in the school hall. The exhibit included a definition of the tests done, results obtained and the conclusions. It was found that for this test the Ultra ball (second from the left bar chart shown in the accompanying photograph) gave the best results. The exhibit included an excellent science report, and Brett is to be congratulated on what in our opinion was the best project and presentation among the many shown in the school hall.

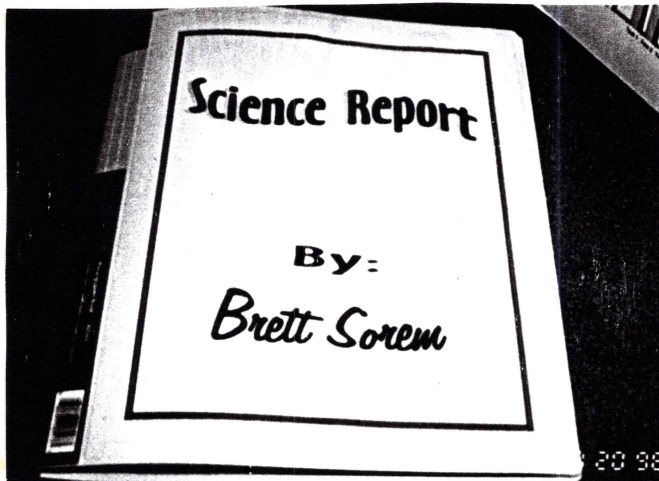
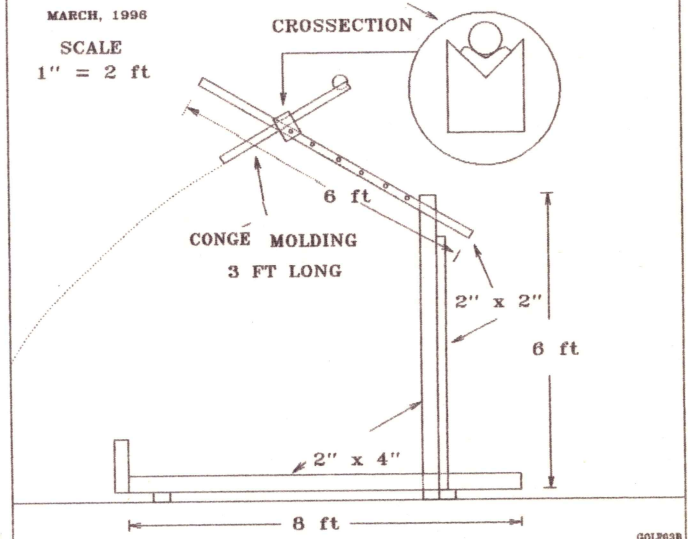


BRETT SOREM'S GOLF BALL TESTER

MARCH, 1996

SCALE

1" = 2 ft



The Riel Family Newsletter

Catch the News

April, 1996

We just learned of another recently completed project, By Craig Hartman. This project was more of an invention type, and Craig's idea is defined in the following description.

ROTO-ROASTER

by Craig Hartman

The Roto-Roaster was designed to make roasting marshmallows and hot-dogs over an open fire easier. The problem with outdoor cooking is that the food doesn't cook evenly and it scorches. The constant rotating of food over an open fire makes for more even cooking.

The materials I chose to build the Roto-Roaster can be purchased from any good hardware store. For the rotating mechanism I have used a simple gear driven hand drill. I have attached a wire cooking fork, with the handle loop cut off, into the drills chuck. For the purpose of display only I have attached it to a gray painted pine wood stand.

The use of the Roto-Roaster is self explanatory. You simply place the food item to be roasted on the forked end. You then hold it out over your campfire and slowly turn the crank handle until food is cooked to your desire. Please note, while camping, comfort and relaxation are of the utmost importance. This handy cooking aid can be used from any comfortable position whether that be laying down or sitting up with minimal exertion.

This would be a hot seller at camping stores such as Camping World or Ski Chalet. Television and/or radio spots would be ineffective and unnecessary. Proper pricing and location make this a perfect impulse buy.

APRIL BIRTHDAY CALENDAR

Dustin Benesch	April 3	11
Brian Riel	April 5	7
Robert Riel	April 9	39
Kevin Riel	April 11	17
Jan Riel	April 21	48

TRAVEL NEWS

Francie has been on the road again, first to Chicago, then New York city. She reports that the Chicago trip was ok, but New York was something else. First of all, she had a cold, and the weather was very chilly. Also, the show was very demanding, so it was all work and no fun. She commented that when one comes to the San Diego airport taxis are lined up waiting for customers. In New York the customers are lined up waiting for a taxi. There's no place like home.

Listy and Bob had a much better deal, a trip to New Orleans, to attend a teachers conference. We were assured that they were kept very busy attending talks, workshops, panel discussions, etc. but we have reason to believe that they managed to find time for exploring cultural activities in the Crescent City. Unfortunately the line to get into the Preservation Hall Jazz Band was too long, but they did enjoy some of the music at the home of Dixieland Jazz.

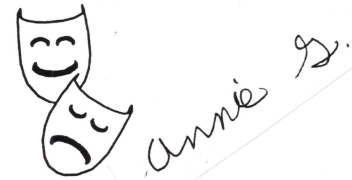
MAILING ADDRESS - You are reminded that the best way to send mail to Francie is this address: Frances Sorem P.O. Box 232362, S. D. 92193

DRAMATICS

Both Annie Gillingham and Scott Hartman played significant roles in a trilogy recently presented at the Theater in Old Town. They both did a great job in a very entertaining show.

FRANCIS PARKER SHOW STOPPERS

PRESENT THREE PLAYS



Where in the World is Carmen San Diego?



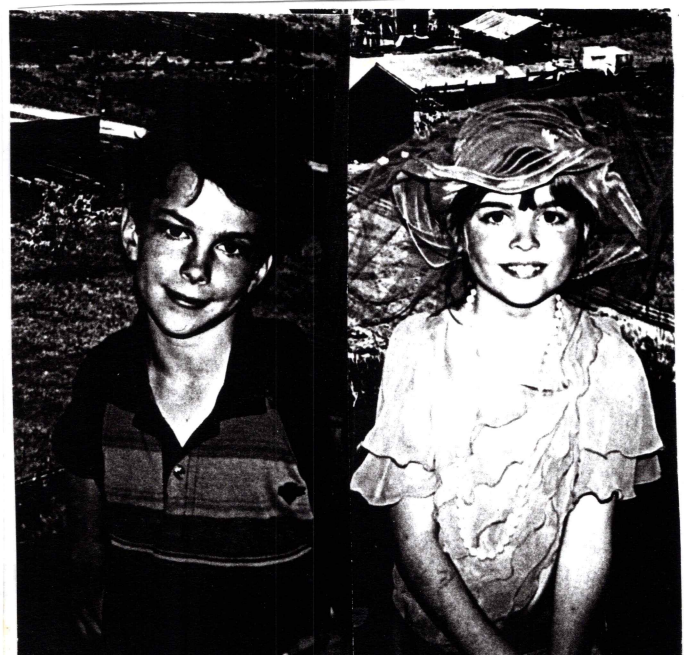
a midsummer-night's dream

Scott

MARCH 27 & 28, 1996
4:15 PM

THE THEATER IN OLD TOWN

DIRECTED BY LETTY ROBINSON



The Riel Family Newsletter

Catch the News



April, 1996

LATE NEWS BULLETIN EASTER SUNDAY PICNIC SCHEDULED AT GRANT SCHOOL PARK

BIRDY HARTMAN HAS KINDLY AGREED TO COORDINATE THIS YEARS EASTER SUNDAY PICNIC, WHICH IS PLANNED FOR APPROXIMATELY 11:00 A.M. GRANDPA AND GRANDMA WILL PROVIDE SLICED HAM AND LEG OF LAMB FOR SANDWICHES. CHECK WITH BIRDY FOR YOUR SHARE OF THE FOOD. SHE NEEDS BREAD, CHIPS, SALAD, BAKED BEANS, DESSERTS, ETC. BRING YOUR OWN DRINKS.

IN ADDITION TO FOOD THERE WILL BE FUN AND GAMES. IF WE NEED MORE SPACE THE FRANCES PARKER SCHOOL YARD WILL BE AVAILABLE. DON'T MISS THIS FUN CELEBRATION!!!

RFNL061X

ROTO-ROASTER

by Craig Hartman

The Roto-Roaster was designed to make roasting marshmallows and hot-dogs over an open fire easier. The problem with outdoor cooking is that the food doesn't cook evenly and it scorches. The constant rotating of food over an open fire makes for more even cooking.

The materials I chose to build the Roto-Roaster can be purchased from any good hardware store. For the rotating mechanism I have used a simple gear driven hand drill. I have attached a wire cooking fork, with the handle loop cut off, into the drills chuck. For the purpose of display only I have attached it to a gray painted pine wood stand.

The use of the Roto-Roaster is self explanatory. You simply place the food item to be roasted on the forked end. You then hold it out over your campfire and slowly turn the crank handle until food is cooked to your desire. Please note, while camping, comfort and relaxation are of the utmost importance. This handy cooking aid can be used from any comfortable position whether that be laying down or sitting up with minimal exertion.

This would be a hot seller at camping stores such as Camping World or Ski Chalet. Television and/or radio spots would be ineffective and unnecessary. Proper pricing and location make this a perfect impulse buy.
